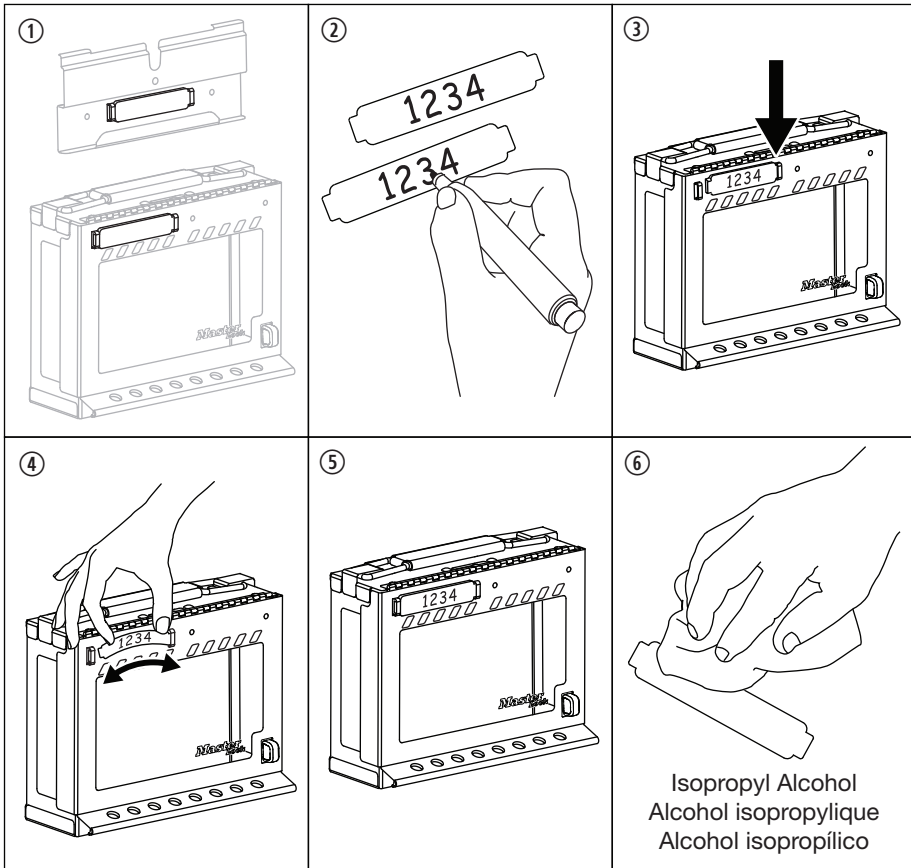
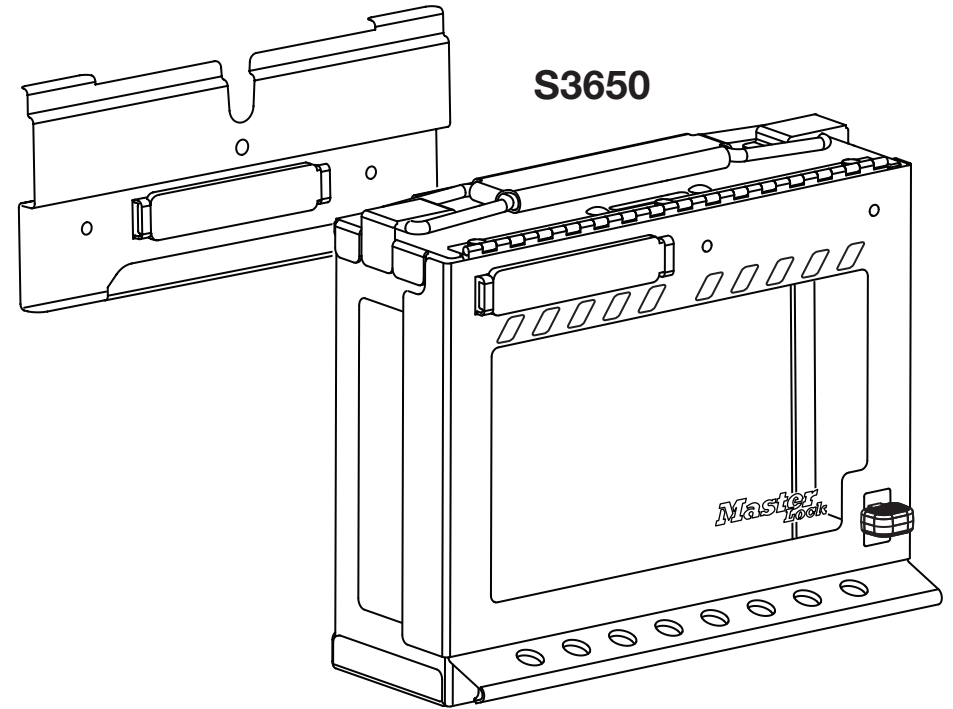


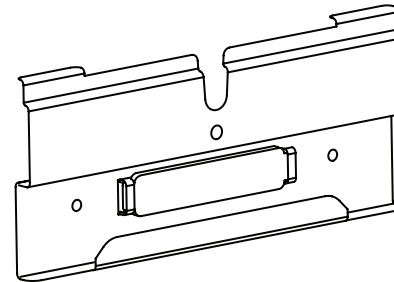
# 4 | Rewritable Tag Instructions - Instructions pour l'étiquette réinscriptible - Etiqueta de instrucciones re-escribible



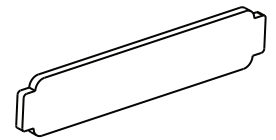
# Master Lock®



**PKGP57337**



**PKGP58381**

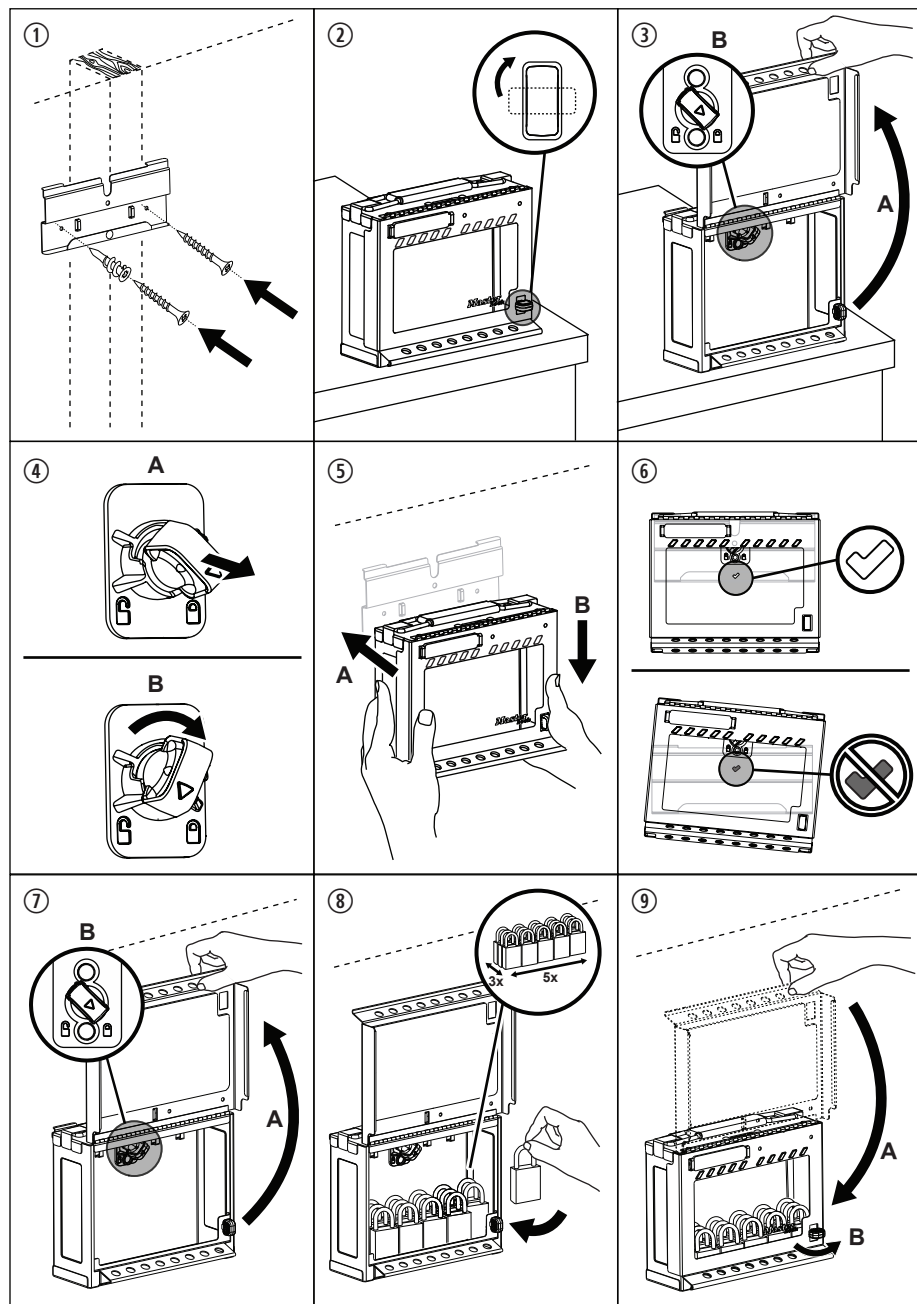


**(x20)**

[www.masterlocksafety.com](http://www.masterlocksafety.com) • [www.masterlock.com](http://www.masterlock.com)

© 2018 Master Lock Company LLC | All Rights Reserved  
**Master Lock Company LLC**, Milwaukee, WI 53210 U.S.A. | 800-308-9244  
**Master Lock Canada Inc.**, Mississauga, Ontario L5L 5Z9 | (800) 227-9599 | Fax: (800) 229-0081  
**Master Lock Europe**, 10 Avenue de l'Arche - Le Colisée Gardens, 92 400 Courbevoie, France, 00 33 1 41 43 72 00, E-mail: [safety@master-lock.fr](mailto:safety@master-lock.fr)  
**Master Lock Europe-UK Office**, Wakes Colne, Colchester CO6 2DB, UK, 0044.1.787.222.027, E-mail: [safetyeu@mlock.com](mailto:safetyeu@mlock.com)  
 玛斯特锁贸易(上海)有限公司 上海市浦东新区银城中路168号上海银行大厦1006室 400-820-6535 E-mail: [safetychina@mlock.com](mailto:safetychina@mlock.com)  
 マスターロック・セントリー日本株式会社 141-0022 東京都品川区東五反田 2-20-4 NOF高輪ビル 4F 03-5447-5311 E-mail: [ML\\_web@mlsj.jp](mailto:ML_web@mlsj.jp)

## 2 | Installation Instructions - Instructions d'installation - Instrucciones de instalación



## 3 | Portable Use Instructions - Instructions d'utilisation portatives - Instrucciones de uso portátil

